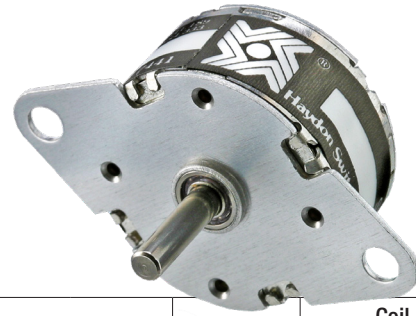


AC Rotary Motors

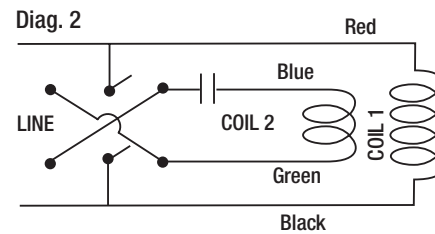
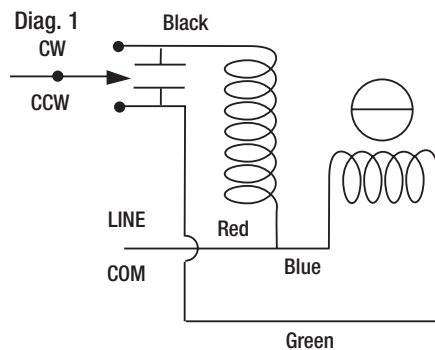
Stepping motors can also be run on AC (Alternating Current). However, one phase must be energized through a properly selected capacitor. In this case the motor is limited to only one synchronous speed. For instance, if 60 hertz is being supplied, there are 120 reversals or alterations of the power source. The phase being energized by a capacitor is also producing the same number of alterations at an offset time sequence. The motor is really being energized at the equivalent of 240 steps per second.



AC Synchronous
 Ø 26 mm (1-in)
 Ball Bearing
 26000 Series

Specifications

Motor Part No.	Rotary Speed (RPMs) @		Torque		Watts	Amps	Capacitor @		Connection Diagram	Coil Resistance (Ohms)	
	60 Hz	50 Hz	oz-in	N-cm			60 Hz	50 Hz		Main Wind	Cap. Wind
Z20540-24-700	600	500	0.5	0.4	2.5	.15	12.5	12.5	2	300	75
A26440-24	300	250	0.9	0.6	3.4	.20	15.0	15.0	2	214	54
A26540-24	600	500	0.9	0.6	3.4	.20	15.0	20.0	2	214	54
Z26440-24-700	300	250	1.2	0.8	3.4	.19	15.0	15.0	2	214	54
Z26540-24-700	600	500	1.5	1.1	3.4	.19	15.0	15.0	2	214	54
A36240-24	150	125	2.5	1.8	4.6	.23	20.0	20.0	2	160	40
A36440-24	300	250	2.6	1.8	4.6	.23	20.0	20.0	2	160	40
A36540-24	600	500	1.3	0.9	4.6	.23	20.0	20.0	2	160	40
A46440-24	300	250	8.5	6.0	10.0	.38	20.0	20.0	1	29	29
A46540-24	600	500	6.5	4.6	10.0	.38	20.0	25.0	1	58	58
A36240-120	150	125	2.5	1.8	4.6	.05	0.8	0.8	2	4000	1000
A36440-120	300	250	2.6	1.8	4.6	.05	0.8	0.8	2	4000	1000
A36540-120	600	500	1.3	0.9	4.6	.05	0.8	0.8	2	4000	1000
A46440-120	300	250	8.5	6.0	10.0	.08	0.8	0.8	1	725	725
A46540-120	600	600	6.5	4.6	10.0	.08	0.8	1.0	1	1450	1450



Capacitors not furnished (with production units).

Identifying the AC Rotary Motor Number Codes when Ordering

Z	26	5	4	0	24	700
Prefix	Series Number Designation	Style	Coils	Code ID Resolution Travel/Step	Voltage	Suffix
A = A Coil Z = Economy <small>(For 20000 and 26000 Series, only use -700 suffix to identify AC motor)</small>	20 = 20000 (Ø 20 mm .79-in) 26 = 26000 (Ø 26 mm 1-in) 36 = 36000 (Ø 36 mm 1.4-in) 46 = 46000 (Ø 46 mm 1.8-in)	4 = 7.5° 5 = 15°	4 = Bipolar (4 wire)	0 = Rotary Motor	24 = 24 VDC 120 = 120VDC Custom V for select 36000 and 46000 Series	-700 = indicates AC for Z Series motors -999 = Ball bearings -001 = Ball bearings for Z Series motors -000 = Sleeve bearings -XXX = Proprietary suffix assigned to a specific customer application. Identifier can apply to either a standard or custom part.

NOTE: Dashes must be included in Part Number (-) as shown above. For assistance call our Engineering Team at 203 756 7441.

www.haydonkerkpittman.com