



PLEASE NOTE: This is a legacy product, meant to provide reference data and is not intended for new machine designs. Please consider alternative HKP product for new machine designs.

PLG24 Series

The PLG24 is a 24 mm planetary gearbox suitable for servo applications where DC Servo brush or BLDC motor technology is specified. The PLG24 provides excellent efficiency in a compact and industry compatible output configuration.

Compatible Motors: DC022C, DC026C

■ Benefits

- Continuous torque up to 0.6 Nm
- All steel planetary carriers and sun gears
- Dual sleeve bearings on output shaft
- High efficiency
- Easily configured to Pittman motors

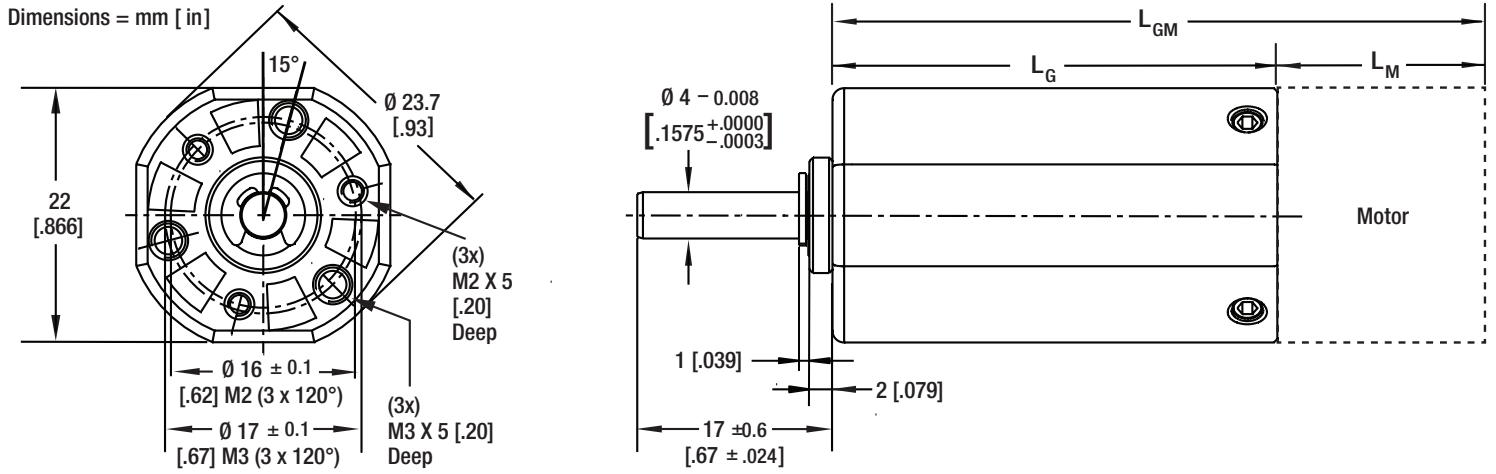
■ Optional Assembly

- Special lubrication for use in extreme temperatures or for service life

■ Characteristics

Gear Data	Units	PLG24 4.33:1	PLG24 6:1	PLG24 18.75:1	PLG24 33.2:1	PLG24 46:1
Maximum Load	Nm	0.3	0.3	0.45	0.45	0.45
	oz-in	42	42	64	64	64
Weight (Mass)	g	19	19	25	25	25
	oz	0.67	0.67	0.88	0.88	0.88
Length (L)	mm	28.4	28.4	36.1	36.1	36.1
	inches	1.12	1.12	1.42	1.42	1.42
Stages	–	1	1	2	2	2
Ratio	–	4.33/1	6/1	18.75/1	33.2/1	46/1
Efficiency	–	0.90	0.90	0.81	0.81	0.81
Shaft Rotation	–	CW	CW	CW	CW	CW

Gear Data	Units	PLG24 81.2:1	PLG24 143.8:1	PLG24 199.3:1	PLG24 276:1	PLG24 352.6:1
Maximum Load	Nm	0.6				
	oz-in	85				
Weight (Mass)	g	35				
	oz	1.2				
Length (L)	mm	43.8				
	inches	1.73				
Stages	–	3				
Ratio	–	81.2/1	143.8/1	199.3/1	276/1	352.6/1
Efficiency	–	0.73				
Shaft Rotation	–	CW				



■ Combined Length

Compatible Motors / Length (mm)			
Stage	1	2	3
DC022C-1	60.3	68.0	75.7
DC022C-2	67.9	75.6	83.3
DC022C-3	76.7	84.4	92.1

■ Combined Length

Compatible Motors / Length (mm)			
Stage	1	2	3
DC026C-1	74.1	81.8	89.5
DC026C-2	77.2	84.9	92.6
DC026C-3	83.6	91.3	99.0